

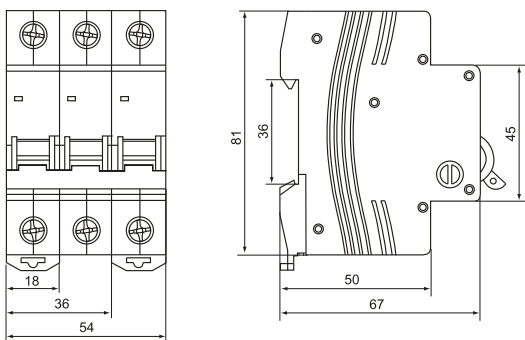
## Miniature Circuit Breaker 230/400VAC 3-Pole

### Miniature Circuit Breaker

#### Technical Data

Rated Voltage
Frequency
No. of Poles
Mounting Type
Rated Current
Rated Breaking Capability
Energy Limiting Class
Electro-mechanical Endurance
Instantaneous Trip Type
Working Temperature
Tripping Characteristic C Type (Temperature 30 °C)
Standard
Dimensions
Dimensions

#### Dimensions



#### Ordering Data

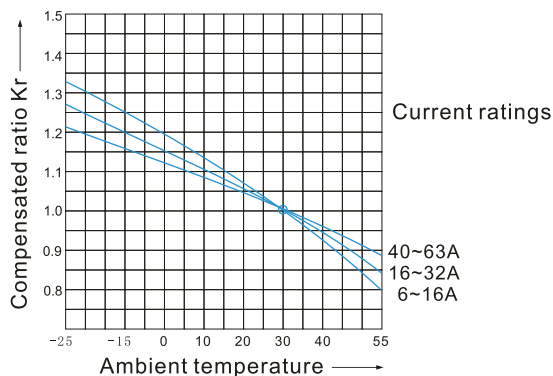
Description	Qty	Code
230/400VAC 3-Pole 10A	4	MCB6-3/10
230/400VAC 3-Pole 16A	4	MCB6-3/16
230/400VAC 3-Pole 20A	4	MCB6-3/20
230/400VAC 3-Pole 25A	4	MCB6-3/25
230/400VAC 3-Pole 32A	4	MCB6-3/32
230/400VAC 3-Pole 40A	4	MCB6-3/40

## Miniature Circuit Breaker 230/400VAC 3-Pole



AC 230V/400V
50/60 Hz
3-Pole (18mm/Pole)
DIN Rail
10A, 16A, 20A, 25A, 32A, 40A, 50A, 63A
6kA
3
4000
C Type
-5°C—+60°C
10In t=<0.1s
IEC 60898
54mm x 81mm

#### Ambient Temperature and Current Rating Curve



Description	Qty	Code
230/400VAC 3-Pole 50A	4	MCB6-3/50
230/400VAC 3-Pole 63A	4	MCB6-3/63